



ITC-Aerospace, Inc.

NAX Bldg. 7Fl, 1-3-2, Shinkawa, Chuo-Ku, Tokyo 104-0033 Japan
E-mail: itc-group@itca.co.jp URL: www.itca.co.jp

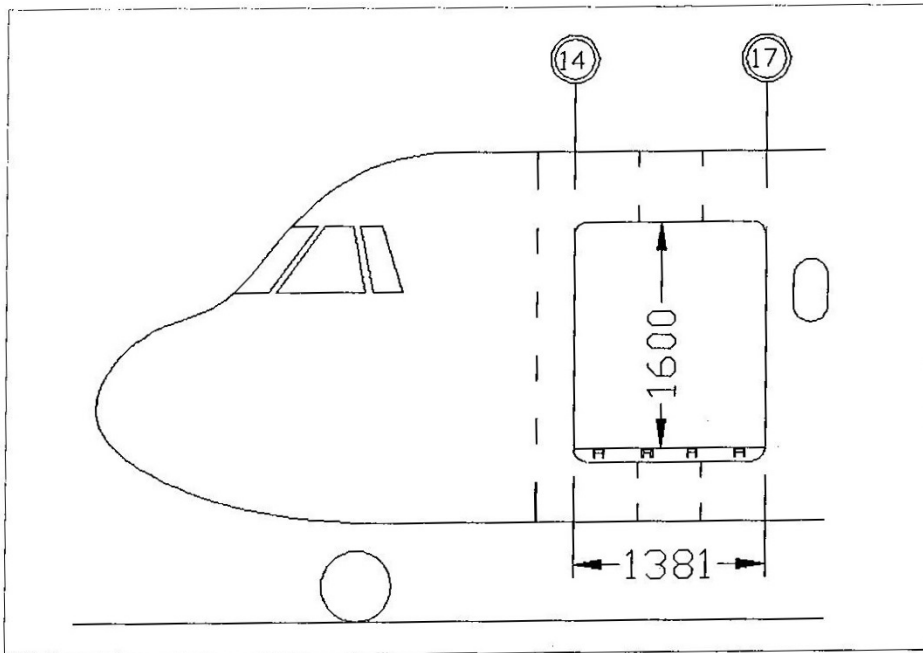
1995 ATR72-200F



General Information	
Year	1995
Manufacturer	ATR
Model	72-200F
Price	TBD
Location	TBD
Condition	Flyable condition
C of A	Valid until Oct. 20 th , 2014
Total Hour	31,880
Total Cycles	29,317
Engine	P&W 124B
Cargo Door	1381 x 1600 mm

SECTION 3.12 FORWARD CARGO DOOR

The cargo operation has to be done by the AFT cargo door and the rear door. In this view we can see the dimensions the FWD cargo door

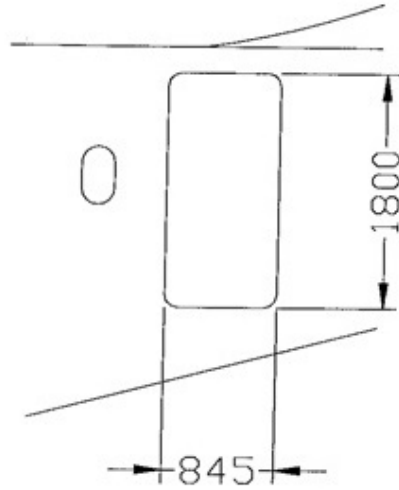


FWD Cargo door	
Door size	1381x1600 mm
Max package lateral size	1200x1500 mm
Max allowed lateral wind	35knt_65 km/h



SECTION 3.13 REARWARD CARGO DOOR

When needed, as for the 6th cargo compartment loading, the rear door can be used to accomplish the cargo operation



Rear door	
Door size	845x1800 mm
Max package lateral size	800x1700 mm



General Information

Engine (Pratt & Whitney):

P&W 124B

#1(LH) SN 124659, TSN 26479 Hr, CSN 24571, TSO 41 Hr

#2(RH) SN 124655, TSN 27564 Hr, CSN 25484, TSO 1058 Hr

Propeller:

HS14SF-11

#1(LH) SN 900942, TSN 21387 Hr, TSO 41 Hr

#2(RH) SN 920821, TSN 31193 Hr, TSO 2035 Hr

Landing Gear:

MLG TCSN: 33588, Remove: 65729, Remaining: 36412

NLG TCSN: 33015, Remove: 56302, Remaining: 26985

Inspection Status:

1 Yearly check due on: 04 May 2013

2 Yearly check due on: 04 May 2014

4 Yearly check due on: 04 May 2016

8 Yearly check due on: 29 Mar 2019

Further details available upon request by e-mail:
nakayamat@itca.co.jp / itc-landb@itca.co.jp

Aircraft availability subject to prior sale; specifications may change without prior notice, components remaining time subject to verification prior to purchase by buyer, lessor, and/or lessee.